



Technical data sheet

Rotary actuators for motorization of mixing / switching valves

Functional data:

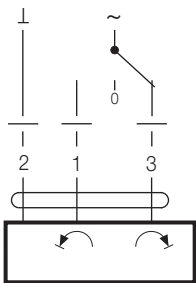
Torque	See chart in next page
Control	See chart in next page
Running time	See chart in next page
Position accuracy	±5%
Angle of rotation	90° \nlessgtr electrically limited
Sound power level	Max. 35dB (A)
Position indication	Reversible scale
Manual usage	Temporary and permanent



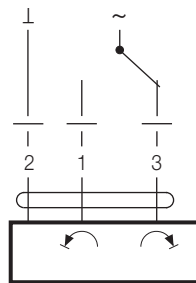
Safety:

Degree of protection	IP40
Protection class	III Extra low voltage / II Totally insulated <input type="checkbox"/>
EMC	CE according to 2004/108/EC
Operating temperature	0 ... +50 °C
Medium temperature	+5 ... +120 °C (in the valve)
Storage temperature	-30 ... +80 °C
Ambient humidity	95% r.h., non-condensating (EN 60730-1)
Maintenance	Maintenance free

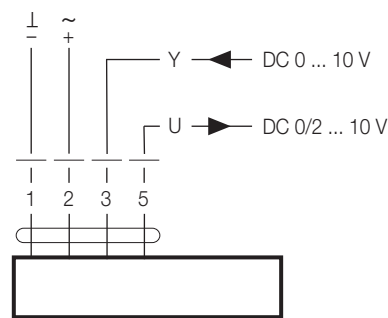
Wiring diagram:



3-point

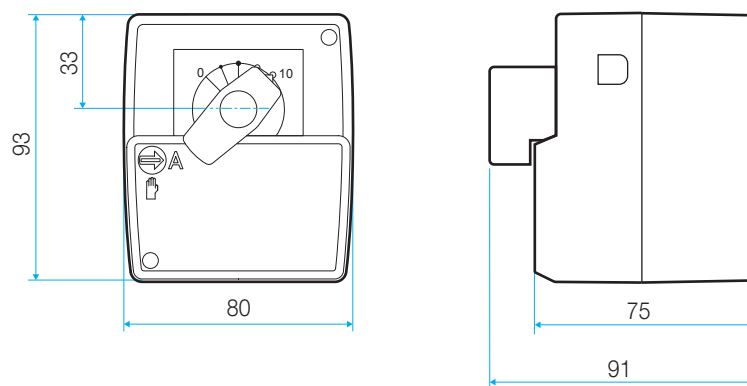


open-close



modulation

Dimensional drawing:



Vexve actuators

Vexve order code	Control type	Nominal voltage	Torque (@ nominal voltage)	Running time (50 Hz)	Power consumption (@ nominal voltage)	Standard mounting kit	Electrical connection
1920601	3-point	24VAC	10Nm	140s	1,5W	4-point (MS-NRA)	RJ12
1920612	3-point	24VAC	5Nm	140s	1,0W	4-point (MS-NRA)	3 x 0,75mm ²
1920616	3-point	24VAC	5Nm	140s	1,0W	4-point (MS-NRA)	RJ12
1920618	open-close	230VAC	5Nm	70s	2,5W	4-point (MS-NRA)	3 x 0,75mm ²
1920619	open-close	24VAC	5Nm	70s	2,5W	4-point (MS-NRA)	3 x 0,75mm ²
1920620	3-point	24VAC	*Thrust 500Nm	140s	1,0W	M30x1,5mm (2,5mm)	RJ12
1920747	3-point	230VAC	10Nm	280s	2,0W	4-point (MS-NRA)	3 x 0,75mm ²
1920749	3-point	230VAC	5Nm	70s	3,5W	4-point (MS-NRA)	3 x 0,75mm ²
1920750	3-point	230VAC	5Nm	140s	2,0W	4-point (MS-NRA)	3 x 0,75mm ²
1920751	3-point	230VAC	10Nm	140s	3,5W	4-point (MS-NRA)	3 x 0,75mm ²
1920752	0-10V	24VAC	5Nm	70s	2,5W	4-point (MS-NRA)	4 x 0,75mm ²
1920753	0-10V	24VAC	5Nm	35s	2,5W	4-point (MS-NRA)	4 x 0,75mm ²
1923104	3-point	24VAC	2Nm	100s	0,5W	Belimo R40X-DK	RJ12
1923140	3-point	230VAC	2Nm	17s	2,5W	Belimo R40X-DK	3 x 0,75mm ²
1923300	3-point	24VAC	20Nm	140s	2,5W	Belimo R40X-DK	RJ12

Adapters for Vexve actuator to different valves

Vexve order code	Belimo code	Suitable valve
1920617	MS-NRA	Universall Vexve, Termomix, ESBE
1920117	MS-NRE6	ESBE VRG valve series
1923000	MS-NRB	BARBERI
1923001	MS-NRH	HOLTER BR80 SMD/SMV
1923002	MS-NRL	LANDIS&STAEFA (Series 2)
1923003	MS-NRL1	LANDIS&STAEFA (Series 1)
1923004	MS-NRLA	LAZZARI
1923005	MS-NRLO	LOVATO 3W, 4W
1923006	MS-NRO1	Meibes/Oventrop/Wita
1923007	MS-NRC	CENTRA Series DR&ZR
1923008	MS-NRC1	CENTRA
1923009	MS-NRS	SATCHWELL MB
1923010	MS-NRSF	SATCHWELL
1923011	WNR	Belimo R40X-D(K) Series
1923012	MS-NRL	Siemens VCI/VBI
1923110	MS-NRV	Short Stroke M30x1,5mm (2,5mm stroke)
1920716	10938-00002	Siemens G $\frac{3}{4}$ "B (5,0mm stroke)
1920717	10938-00001	Danfoss M30x1,5mm (max. 5,5mm stroke)

